

**SPECIFICATIONS:**

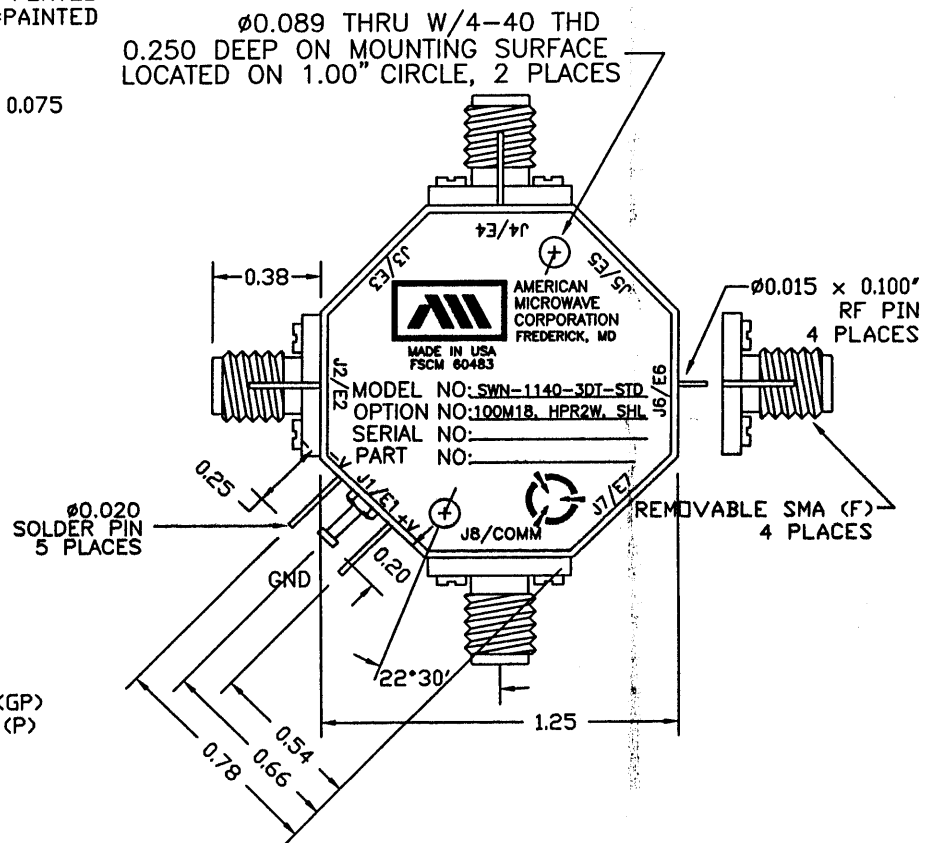
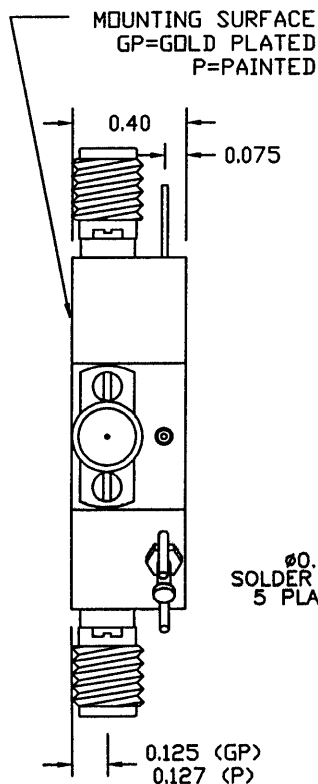
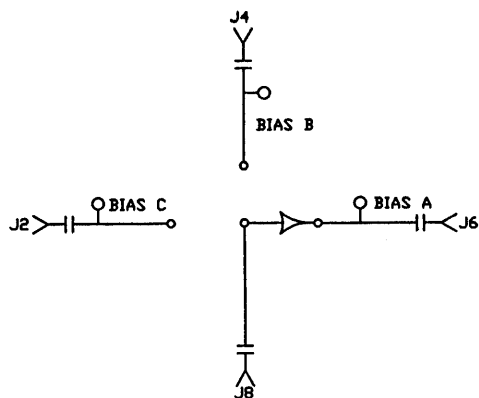
AMC MODEL NUMBER SWN-1140-3DT-STANDARD OPTION 100M18, HPR2W, SHL IS A SINGLE POLE THREE THROW, BROAD BAND, HIGH POWER SOLID STATE ABSORPTIVE SWITCH WITH HIGH ISOLATION AND LOW LOSS.

REVISIONS			DATE	APPROVED
ZONE	REV.	DESCRIPTION		
	-	ORIGINAL JOB# 104089-4	05/17/01	

**SPECIFICATIONS:**

- FREQUENCY: . . . . . 100 MHz TO 18 GHz
- INSERTION LOSS: . . . . . 3.75 dB
- ISOLATION: . . . . . 100 MHz TO 2 GHz: 60 db  
2 GHz TO 18 GHz: 70 db
- VSWR: . . . . . ABSORPTIVE IN/OUT: 2.0:1  
ABSORPTIVE OUT/OFF: 2.0:1
- SPEED: . . . . . DELAY ON: 500ns TYPICAL  
DELAY OFF: 500ns TYPICAL
- POWER INPUT: . . . . . +33 dBm CW
- CONTROL: . . . . . TTL LOGIC "0"=ON "1"=OFF
- POWER SUPPLY: . . . . . +5V @ 150 mA MAXIMUM  
-15V @ 100 mA MAXIMUM

BLOCK DIAGRAM



CONFIDENTIAL AND PROPRIETARY

**ENVIRONMENTAL RATINGS:**

- TEMPERATURE: . . . . . -55°C TO +85°C (OPERATING)  
-65°C TO +125°C (STORAGE)
- HUMIDITY: . . . . . MIL-STD-202F, METHOD 103B COND. B
- SHOCK: . . . . . MIL-STD-202F, METHOD 213B COND. B
- VIBRATION: . . . . . MIL-STD-202F, METHOD 204D COND. B
- ALTITUDE: . . . . . MIL-STD-202F, METHOD 105C COND. B
- TEMPERATURE CYCLE: . . . . . MIL-STD-202F, METHOD 107D COND. A

ALL DIMENSIONS ARE IN INCHES  
TOLERANCES:  
X.XX ±0.020  
X.XXX ±0.010

NOTE: THE ABOVE SPECIFICATIONS ARE SUBJECT TO CHANGE OR REVISION

CONTRACT NO.		AMERICAN MICROWAVE CORPORATION FREDERICK, MARYLAND	
APPROVALS	DATE	TITLE	
DRAWN <i>WJCS</i>	05/17/01	PRODUCT FEATURE SWN-1140-3DT-STANDARD OPTION: 100M18, HPR2W, SHL	
CHECKED <i>WJ</i>	2/20/02	SIZE	FSCM NO.
ISSUED		A	60483
		DWG NO.	100-6109
		SCALE 1.5:1	SHEET 1 of 3